

# Technical Specifications

CarrodRAIN

**Liquid LOW**

**Liquid mono LOW**

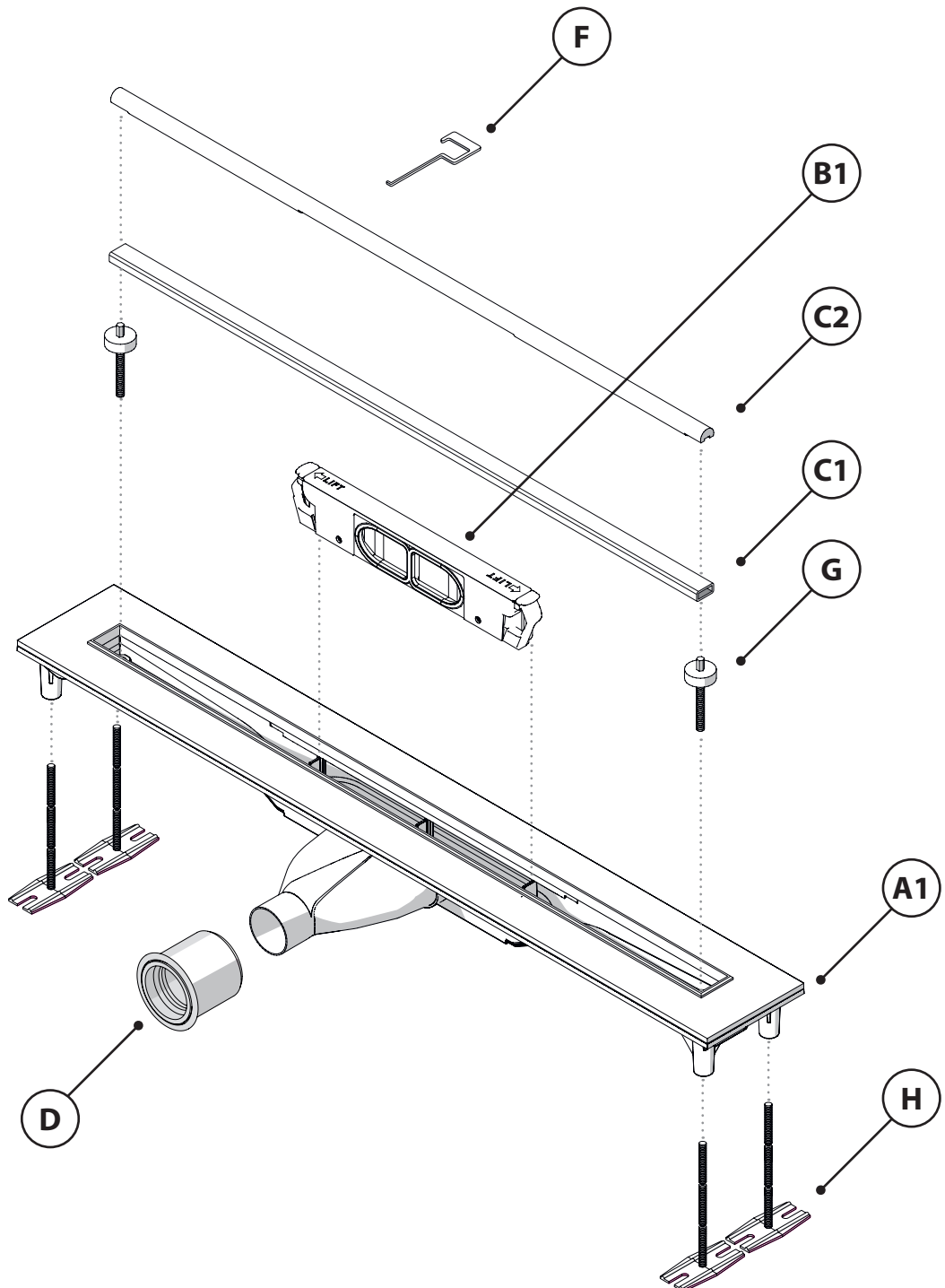
**Liquid PRO**

**Liquid mono PRO**

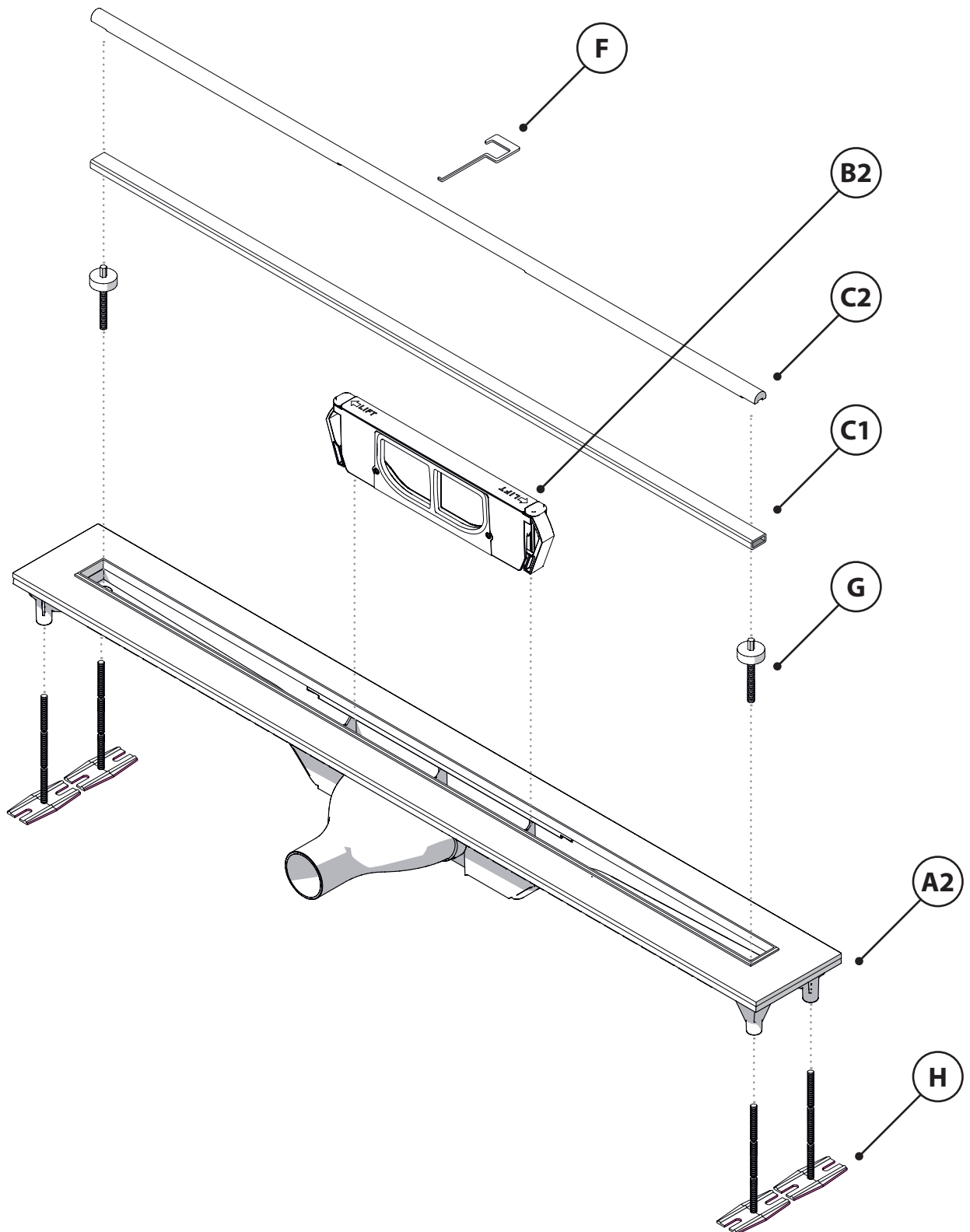
**CARRODRAIN**

SHOWER DRAIN DESIGN

# Carrodrain **Liquid LOW**



# Carrodrain **Liquid PRO**

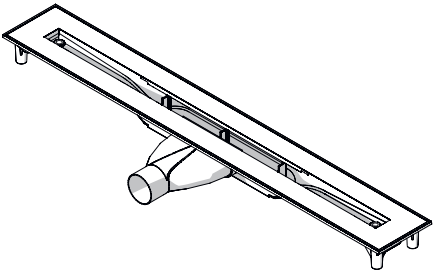
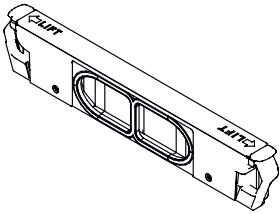


# Carrodrain **Liquid LOW** / Technical Specifications

	600 LOW	700 LOW	800 LOW	900 LOW
Box length	735 mm	835 mm	935 mm	1035 mm
Box width	235 mm	235 mm	235 mm	235 mm
Box height	90 mm	90 mm	90 mm	90 mm
Weight per box (=complete package)	3,00 kg	3,25 kg	3,50 kg	3,75 kg
Weight per pallet incl. pallet	120 kg	130 kg	140 kg	150 kg
Number of sets per box	1	1	1	1
Number of boxes per pallet	40	40	40	40

# Carrodrain **Liquid mono LOW** / Technical Specifications

	600 mono LOW	700 mono LOW	800 mono LOW	900 mono LOW
Box length	735 mm	835 mm	935 mm	1035 mm
Box width	235 mm	235 mm	235 mm	235 mm
Box height	90 mm	90 mm	90 mm	90 mm
Weight per box (=complete package)	3,80 kg	4,25 kg	4,70 kg	5,15 kg
Weight per pallet incl. pallet	152 kg	168 kg	184 kg	200 kg
Number of sets per box	1	1	1	1
Number of boxes per pallet	40	40	40	40

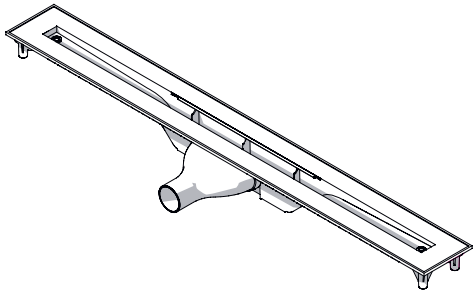
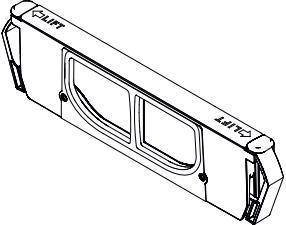
PART	DESCRIPTION	CODE
	<p><b>LIQUID LOW BODY</b></p> <p><b>Dimensions :</b> see later in this technical datasheet</p> <p><b>Material :</b> High Heat ABS</p> <p><b>General :</b>                      drainage system with patented "superflow" technology                      pre-glued Kerlox-flange (36mm)                      drainage capacity: see KIWA table                      max. water temperature = 90°C</p>	
	<p><b>LIQUID LOW SIPHON</b></p> <p><b>Material :</b> High Heat ABS + TPE                      drainage capacity: see KIWA table                      water seal height = 30 mm                      not frost resistant</p>	100202

# Carrodrain **Liquid PRO** / Technical Specifications

	600 PRO	700 PRO	800 PRO	900 PRO	1000 PRO
Box length	735 mm	835 mm	935 mm	1035 mm	1035 mm
Box width	235 mm	235 mm	235 mm	235 mm	235 mm
Box height	115 mm	115 mm	115 mm	115 mm	115 mm
Weight per box (=complete package)	3,15 kg	3,40 kg	3,65 kg	3,90 kg	4,15 kg
Weight per pallet incl. pallet	126 kg	134 kg	142 kg	150 kg	158 kg
Number of sets per box	1	1	1	1	1
Number of boxes per pallet	40	40	40	40	40

# Carrodrain **Liquid mono PRO** / Technical Specifications

	600 mono PRO	700 mono PRO	800 mono PRO	900 mono PRO	1000 mono PRO
Box length	735 mm	835 mm	935 mm	1035 mm	1035 mm
Box width	235 mm	235 mm	235 mm	235 mm	235 mm
Box height	115 mm	115 mm	115 mm	115 mm	115 mm
Weight per box (=complete package)	3,95 kg	4,40 kg	4,85 kg	5,30 kg	5,45 kg
Weight per pallet incl. pallet	158 kg	174 kg	190kg	206 kg	222 kg
Number of sets per box	1	1	1	1	1
Number of boxes per pallet	40	40	40	40	40

PART	DESCRIPTION	CODE
<p><b>A2</b></p> 	<p><b>LIQUID PRO BODY</b></p> <p><b>Dimensions :</b> see later in this technical datasheet</p> <p><b>Material :</b> High Heat ABS</p> <p><b>General :</b>                      drainage system with patented "superflow" technology                      pre-glued Kerlox-flange (36mm)                      drainage capacity: see KIWA table                      max. water temperature = 90°C</p>	
<p><b>B2</b></p> 	<p><b>LIQUID PRO SIPHON</b></p> <p><b>Material :</b> High Heat ABS + TPE                      drainage capacity: see KIWA table                      water seal height = 50 mm                      not frost resistant</p>	500202

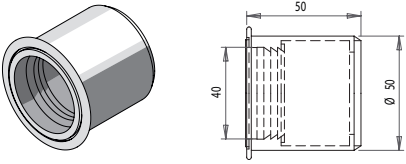
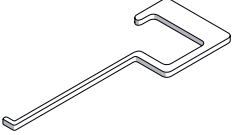
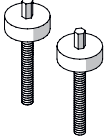

# Carrodrain **Liquid** / Technical Specifications

PART	DESCRIPTION	CODE
<p><b>C1</b></p> 	<p><b>GRATE LIQUID</b></p> <p>grate tube</p> <p><b>Liquid 600</b> : L 590 mm x W 20 mm x H 10 mm</p> <p>GRILLE LIQUID 600 <b>INOX</b> stainless steel 304 100653</p> <p>GRILLE LIQUID 600 <b>BLACK</b> stainless steel 304 + powder coating 100663</p> <p>GRILLE LIQUID 600 <b>WHITE</b> stainless steel 304 + powder coating 101663</p> <p>GRILLE LIQUID 600 <b>CHAMPAGNE</b> stainless steel 304 + PVD coating 107663</p> <p>GRILLE LIQUID 600 <b>GOLD</b> stainless steel 304 + PVD coating 102663</p> <p>GRILLE LIQUID 600 <b>BRASS</b> stainless steel 304 + PVD coating 108663</p> <p>GRILLE LIQUID 600 <b>COPPER</b> stainless steel 304 + PVD coating 103663</p> <p>GRILLE LIQUID 600 <b>BRONZE</b> stainless steel 304 + PVD coating 104663</p> <p>GRILLE LIQUID 600 <b>SMOKE</b> stainless steel 304 + PVD coating 105663</p> <p>GRILLE LIQUID 600 <b>TITANIUM</b> stainless steel 304 + PVD coating 106663</p> <p><b>Liquid 700</b> : L 690 mm x W 20 mm x H 10 mm</p> <p>GRILLE LIQUID 700 <b>INOX</b> stainless steel 304 100650</p> <p>GRILLE LIQUID 700 <b>BLACK</b> stainless steel 304 + powder coating 100660</p> <p>GRILLE LIQUID 700 <b>WHITE</b> stainless steel 304 + powder coating 101660</p> <p>GRILLE LIQUID 700 <b>CHAMPAGNE</b> stainless steel 304 + PVD coating 107660</p> <p>GRILLE LIQUID 700 <b>GOLD</b> stainless steel 304 + PVD coating 102660</p> <p>GRILLE LIQUID 700 <b>BRASS</b> stainless steel 304 + PVD coating 108660</p> <p>GRILLE LIQUID 700 <b>COPPER</b> stainless steel 304 + PVD coating 103660</p> <p>GRILLE LIQUID 700 <b>BRONZE</b> stainless steel 304 + PVD coating 104660</p> <p>GRILLE LIQUID 700 <b>SMOKE</b> stainless steel 304 + PVD coating 105660</p> <p>GRILLE LIQUID 700 <b>TITANIUM</b> stainless steel 304 + PVD coating 106660</p> <p><b>Liquid 800</b> : L 790 mm x W 20 mm x H 10 mm</p> <p>GRILLE LIQUID 800 <b>INOX</b> stainless steel 304 100651</p> <p>GRILLE LIQUID 800 <b>BLACK</b> stainless steel 304 + powder coating 100661</p> <p>GRILLE LIQUID 800 <b>WHITE</b> stainless steel 304 + powder coating 101661</p> <p>GRILLE LIQUID 800 <b>CHAMPAGNE</b> stainless steel 304 + PVD coating 107661</p> <p>GRILLE LIQUID 800 <b>GOLD</b> stainless steel 304 + PVD coating 102661</p> <p>GRILLE LIQUID 800 <b>BRASS</b> stainless steel 304 + PVD coating 108661</p> <p>GRILLE LIQUID 800 <b>COPPER</b> stainless steel 304 + PVD coating 103661</p> <p>GRILLE LIQUID 800 <b>BRONZE</b> stainless steel 304 + PVD coating 104661</p> <p>GRILLE LIQUID 800 <b>SMOKE</b> stainless steel 304 + PVD coating 105661</p> <p>GRILLE LIQUID 800 <b>TITANIUM</b> stainless steel 304 + PVD coating 106661</p> <p><b>Liquid 900</b> : L 890 mm x W 20 mm x H 10 mm</p> <p>GRILLE LIQUID 900 <b>INOX</b> stainless steel 304 100652</p> <p>GRILLE LIQUID 900 <b>BLACK</b> stainless steel 304 + powder coating 100662</p> <p>GRILLE LIQUID 900 <b>WHITE</b> stainless steel 304 + powder coating 101662</p> <p>GRILLE LIQUID 900 <b>CHAMPAGNE</b> stainless steel 304 + PVD coating 107662</p> <p>GRILLE LIQUID 900 <b>GOLD</b> stainless steel 304 + PVD coating 102662</p> <p>GRILLE LIQUID 900 <b>BRASS</b> stainless steel 304 + PVD coating 108662</p> <p>GRILLE LIQUID 900 <b>COPPER</b> stainless steel 304 + PVD coating 103662</p> <p>GRILLE LIQUID 900 <b>BRONZE</b> stainless steel 304 + PVD coating 104662</p> <p>GRILLE LIQUID 900 <b>SMOKE</b> stainless steel 304 + PVD coating 105662</p> <p>GRILLE LIQUID 900 <b>TITANIUM</b> stainless steel 304 + PVD coating 106662</p> <p><b>Liquid 1000</b> : L 990 mm x W 20 mm x H 10 mm</p> <p>GRILLE LIQUID 1000 <b>INOX</b> stainless steel 304 100654</p> <p>GRILLE LIQUID 1000 <b>BLACK</b> stainless steel 304 + powder coating 100664</p> <p>GRILLE LIQUID 1000 <b>WHITE</b> stainless steel 304 + powder coating 101664</p> <p>GRILLE LIQUID 1000 <b>CHAMPAGNE</b> stainless steel 304 + PVD coating 107664</p> <p>GRILLE LIQUID 1000 <b>GOLD</b> stainless steel 304 + PVD coating 102664</p> <p>GRILLE LIQUID 1000 <b>BRASS</b> stainless steel 304 + PVD coating 108664</p> <p>GRILLE LIQUID 1000 <b>COPPER</b> stainless steel 304 + PVD coating 103664</p> <p>GRILLE LIQUID 1000 <b>BRONZE</b> stainless steel 304 + PVD coating 104664</p> <p>GRILLE LIQUID 1000 <b>SMOKE</b> stainless steel 304 + PVD coating 105664</p> <p>GRILLE LIQUID 1000 <b>TITANIUM</b> stainless steel 304 + PVD coating 106664</p>	

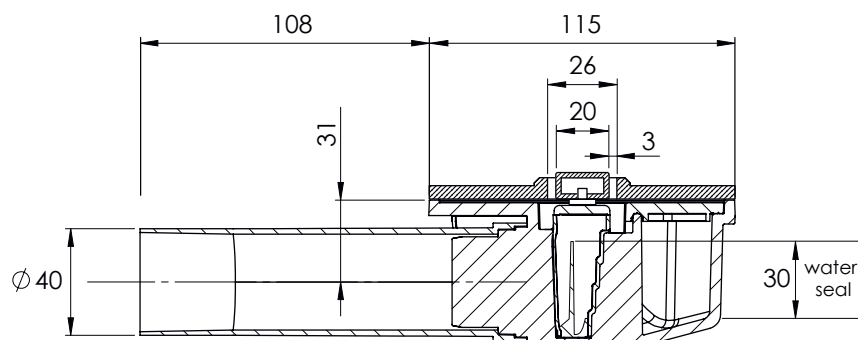
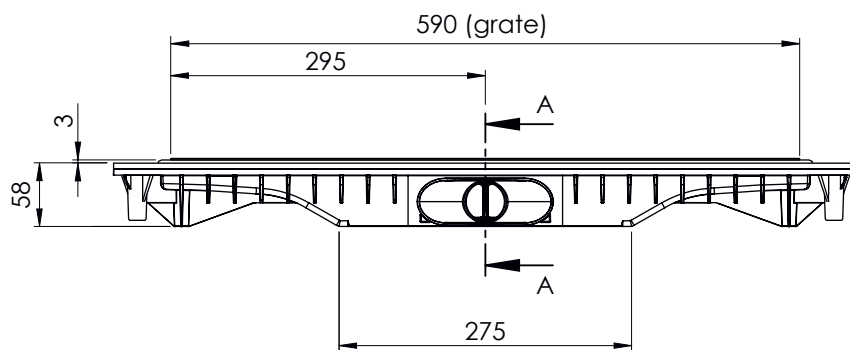
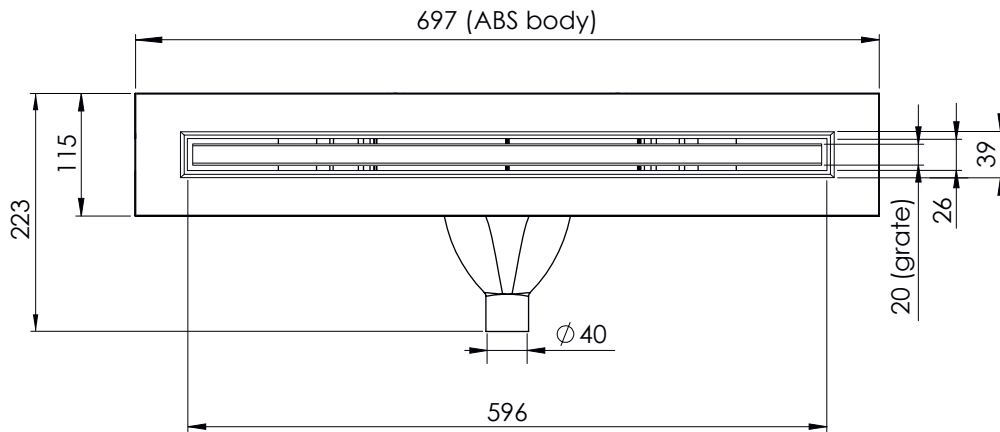
# Carrodrain **Liquid** / Technical Specifications

PART	DESCRIPTION	CODE
<div style="text-align: center;">  <p><b>C2</b></p> </div>	<p><b>GRATE SET LIQUID MONO</b></p>	
	<p>grate rod</p>	
	<p><b>Liquid Mono 600 : L 590 mm x ø 20 mm</b></p>	
	<p>GRILLE LIQUID MONO 600 <b>INOX</b> stainless steel 304</p>	<p>200753</p>
	<p>GRILLE LIQUID MONO 600 <b>BLACK</b> stainless steel 304 + powder coating</p>	<p>200763</p>
	<p>GRILLE LIQUID MONO 600 <b>WHITE</b> stainless steel 304 + powder coating</p>	<p>201763</p>
	<p>GRILLE LIQUID MONO 600 <b>CHAMPAGNE</b> stainless steel 304 + PVD coating</p>	<p>207763</p>
	<p>GRILLE LIQUID MONO 600 <b>GOLD</b> stainless steel 304 + PVD coating</p>	<p>202763</p>
	<p>GRILLE LIQUID MONO 600 <b>BRASS</b> stainless steel 304 + PVD coating</p>	<p>208763</p>
	<p>GRILLE LIQUID MONO 600 <b>COPPER</b> stainless steel 304 + PVD coating</p>	<p>203763</p>
	<p>GRILLE LIQUID MONO 600 <b>BRONZE</b> stainless steel 304 + PVD coating</p>	<p>204763</p>
	<p>GRILLE LIQUID MONO 600 <b>SMOKE</b> stainless steel 304 + PVD coating</p>	<p>205763</p>
	<p>GRILLE LIQUID MONO 600 <b>TITANIUM</b> stainless steel 304 + PVD coating</p>	<p>206763</p>
	<p><b>Liquid Mono 700 : L 690 mm x ø 20 mm</b></p>	
	<p>GRILLE LIQUID MONO 700 <b>INOX</b> stainless steel 304</p>	<p>200750</p>
	<p>GRILLE LIQUID MONO 700 <b>BLACK</b> stainless steel 304 + powder coating</p>	<p>200760</p>
	<p>GRILLE LIQUID MONO 700 <b>WHITE</b> stainless steel 304 + powder coating</p>	<p>201760</p>
	<p>GRILLE LIQUID MONO 700 <b>CHAMPAGNE</b> stainless steel 304 + PVD coating</p>	<p>207760</p>
	<p>GRILLE LIQUID MONO 700 <b>GOLD</b> stainless steel 304 + PVD coating</p>	<p>202760</p>
	<p>GRILLE LIQUID MONO 700 <b>BRASS</b> stainless steel 304 + PVD coating</p>	<p>208760</p>
	<p>GRILLE LIQUID MONO 700 <b>COPPER</b> stainless steel 304 + PVD coating</p>	<p>203760</p>
	<p>GRILLE LIQUID MONO 700 <b>BRONZE</b> stainless steel 304 + PVD coating</p>	<p>204760</p>
	<p>GRILLE LIQUID MONO 700 <b>SMOKE</b> stainless steel 304 + PVD coating</p>	<p>205760</p>
	<p>GRILLE LIQUID MONO 700 <b>TITANIUM</b> stainless steel 304 + PVD coating</p>	<p>206760</p>
	<p><b>Liquid Mono 800 : L 790 mm x ø 20 mm</b></p>	
	<p>GRILLE LIQUID MONO 800 <b>INOX</b> stainless steel 304</p>	<p>200751</p>
	<p>GRILLE LIQUID MONO 800 <b>BLACK</b> stainless steel 304 + powder coating</p>	<p>200761</p>
	<p>GRILLE LIQUID MONO 800 <b>WHITE</b> stainless steel 304 + powder coating</p>	<p>201761</p>
	<p>GRILLE LIQUID MONO 800 <b>CHAMPAGNE</b> stainless steel 304 + PVD coating</p>	<p>207761</p>
	<p>GRILLE LIQUID MONO 800 <b>GOLD</b> stainless steel 304 + PVD coating</p>	<p>202761</p>
	<p>GRILLE LIQUID MONO 800 <b>BRASS</b> stainless steel 304 + PVD coating</p>	<p>208761</p>
	<p>GRILLE LIQUID MONO 800 <b>COPPER</b> stainless steel 304 + PVD coating</p>	<p>203761</p>
	<p>GRILLE LIQUID MONO 800 <b>BRONZE</b> stainless steel 304 + PVD coating</p>	<p>204761</p>
	<p>GRILLE LIQUID MONO 800 <b>SMOKE</b> stainless steel 304 + PVD coating</p>	<p>205761</p>
	<p>GRILLE LIQUID MONO 800 <b>TITANIUM</b> stainless steel 304 + PVD coating</p>	<p>206761</p>
	<p><b>Liquid Mono 900 : L 890 mm x ø 20 mm</b></p>	
	<p>GRILLE LIQUID MONO 900 <b>INOX</b> stainless steel 304</p>	<p>200752</p>
	<p>GRILLE LIQUID MONO 900 <b>BLACK</b> stainless steel 304 + powder coating</p>	<p>200762</p>
	<p>GRILLE LIQUID MONO 900 <b>WHITE</b> stainless steel 304 + powder coating</p>	<p>201762</p>
	<p>GRILLE LIQUID MONO 900 <b>CHAMPAGNE</b> stainless steel 304 + PVD coating</p>	<p>207762</p>
	<p>GRILLE LIQUID MONO 900 <b>GOLD</b> stainless steel 304 + PVD coating</p>	<p>202762</p>
	<p>GRILLE LIQUID MONO 900 <b>BRASS</b> stainless steel 304 + PVD coating</p>	<p>208762</p>
	<p>GRILLE LIQUID MONO 900 <b>COPPER</b> stainless steel 304 + PVD coating</p>	<p>203762</p>
	<p>GRILLE LIQUID MONO 900 <b>BRONZE</b> stainless steel 304 + PVD coating</p>	<p>204762</p>
	<p>GRILLE LIQUID MONO 900 <b>SMOKE</b> stainless steel 304 + PVD coating</p>	<p>205762</p>
<p>GRILLE LIQUID MONO 900 <b>TITANIUM</b> stainless steel 304 + PVD coating</p>	<p>206762</p>	
<p><b>Liquid Mono 1000 : L 990 mm x ø 20 mm</b></p>		
<p>GRILLE LIQUID MONO 1000 <b>INOX</b> stainless steel 304</p>	<p>200754</p>	
<p>GRILLE LIQUID MONO 1000 <b>BLACK</b> stainless steel 304 + powder coating</p>	<p>200764</p>	
<p>GRILLE LIQUID MONO 1000 <b>WHITE</b> stainless steel 304 + powder coating</p>	<p>201764</p>	
<p>GRILLE LIQUID MONO 1000 <b>CHAMPAGNE</b> stainless steel 304 + PVD coating</p>	<p>207764</p>	
<p>GRILLE LIQUID MONO 1000 <b>GOLD</b> stainless steel 304 + PVD coating</p>	<p>202764</p>	
<p>GRILLE LIQUID MONO 1000 <b>BRASS</b> stainless steel 304 + PVD coating</p>	<p>208764</p>	
<p>GRILLE LIQUID MONO 1000 <b>COPPER</b> stainless steel 304 + PVD coating</p>	<p>203764</p>	
<p>GRILLE LIQUID MONO 1000 <b>BRONZE</b> stainless steel 304 + PVD coating</p>	<p>204764</p>	
<p>GRILLE LIQUID MONO 1000 <b>SMOKE</b> stainless steel 304 + PVD coating</p>	<p>205764</p>	
<p>GRILLE LIQUID MONO 1000 <b>TITANIUM</b> stainless steel 304 + PVD coating</p>	<p>206764</p>	

# Carrodrain **Liquid** / Technical Specifications

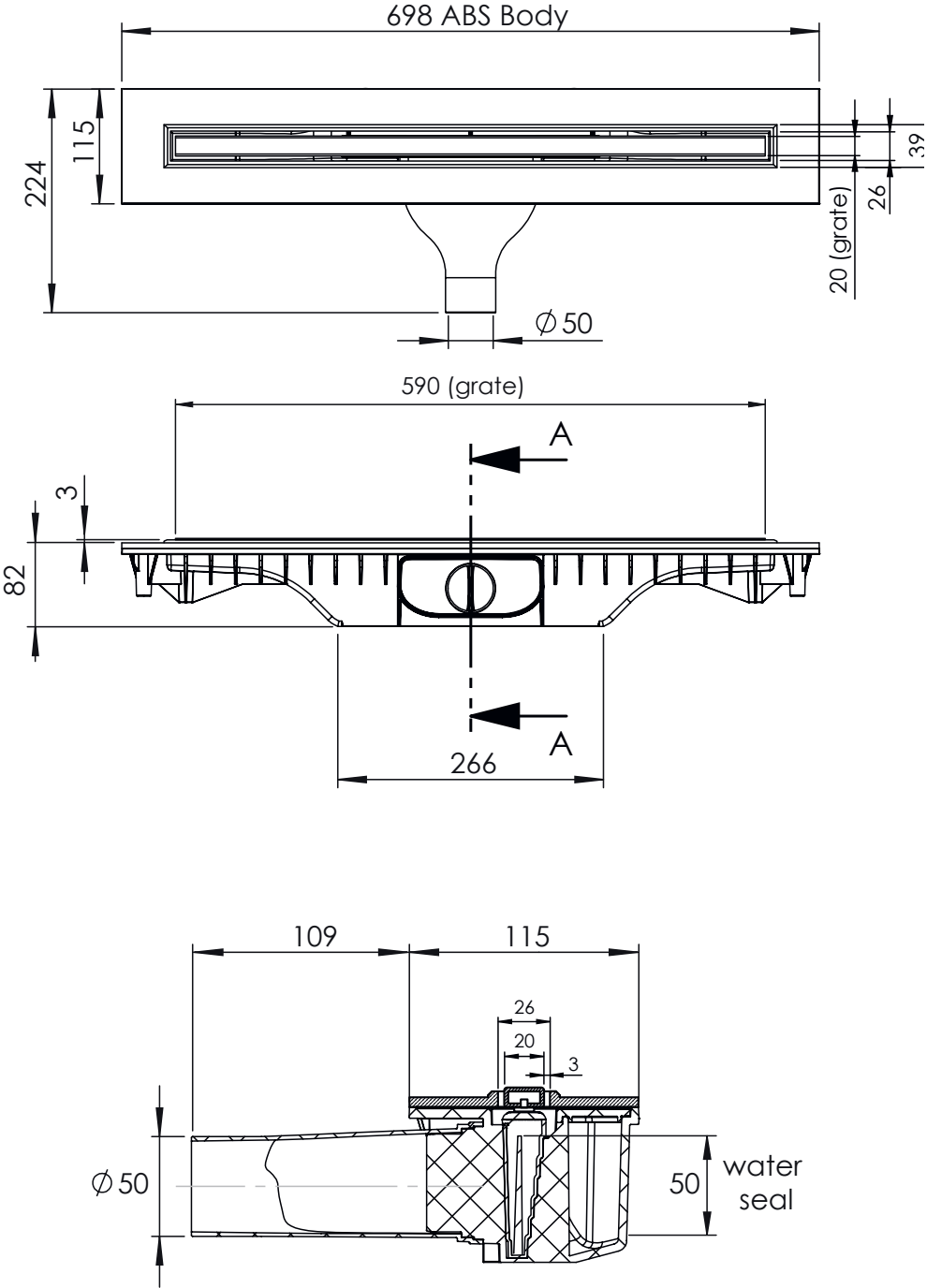
PART	DESCRIPTION	CODE
<p><b>D</b></p> 	<p><b>SLIDING SOCKET 40/50</b></p> <p><b>Material :</b> PP-Block Copolymere (PP-B) diameter from 40 mm to 50 mm rubber seal</p>	100028
<p><b>F</b></p> 	<p><b>LIQUID MULTI-KEY</b></p> <p><b>Material :</b> stainless steel 304 L 85 mm x W 30 mm x H 2 mm</p>	100208
<p><b>G</b></p> 	<p><b>LIQUID ADJUSTING SCREW</b></p> <p>set of 2 ABS adjusting screws M6 H 54 x D 20 mm</p>	100409
<p><b>H</b></p> 	<p><b>LIQUID FEET</b></p> <p>set of 4 ABS feet L 70 mm x W 33 mm x H 92 mm</p>	100140

# Carrodrain **Liquid 600 LOW**



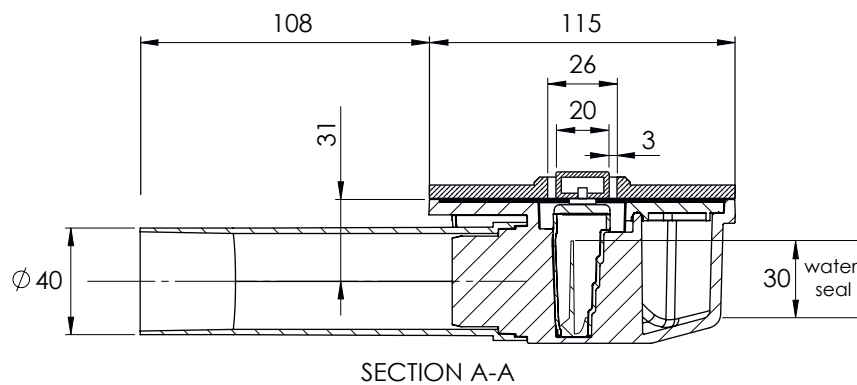
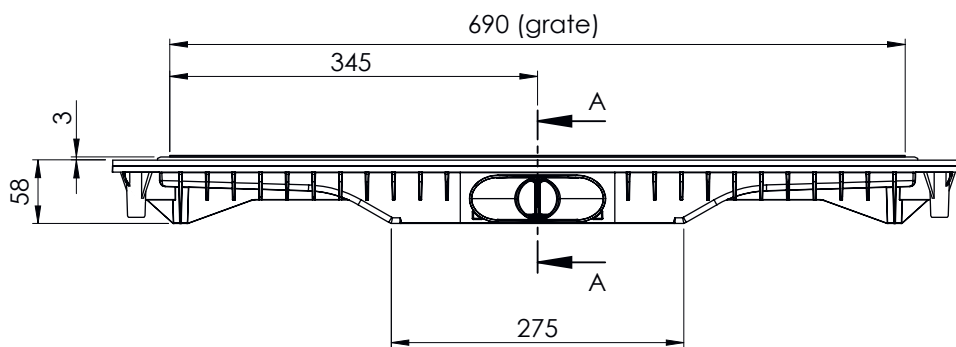
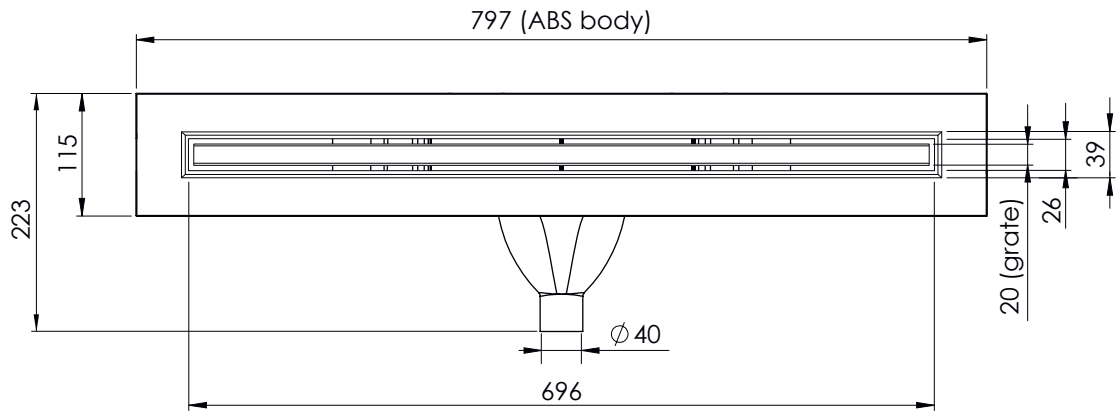
SECTION A-A

# Carrodrain **Liquid 600 PRO**

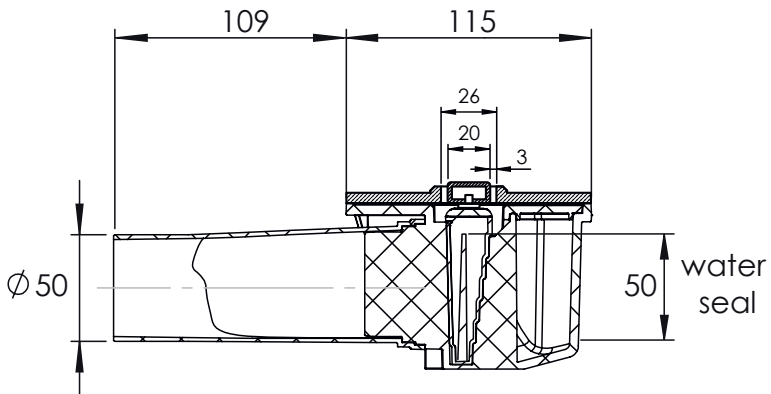
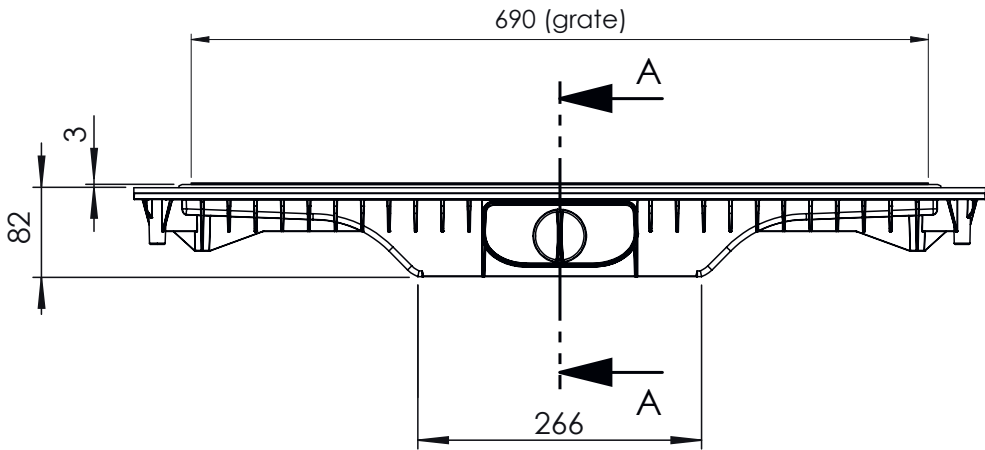
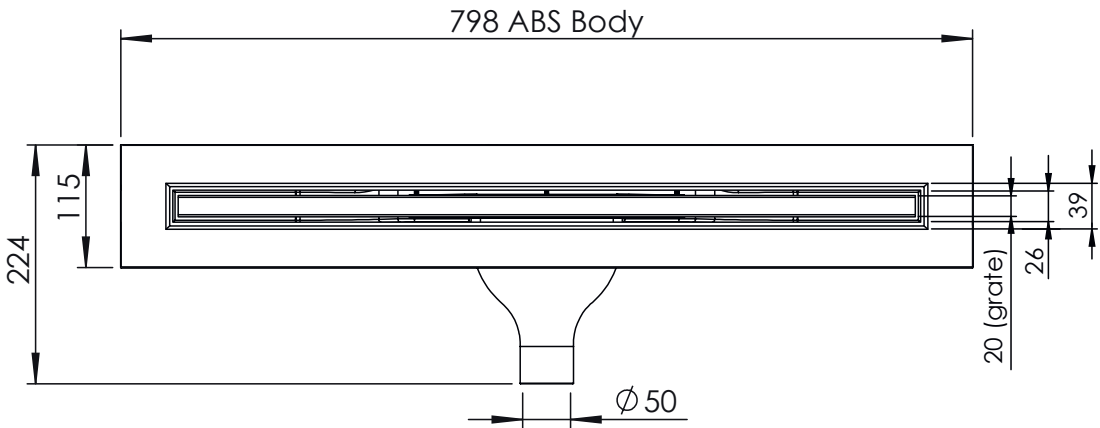


SECTION A-A

# Carrodrain **Liquid 700 LOW**

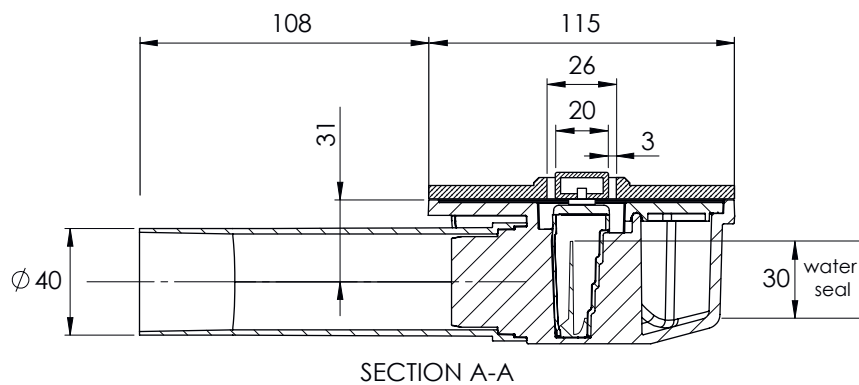
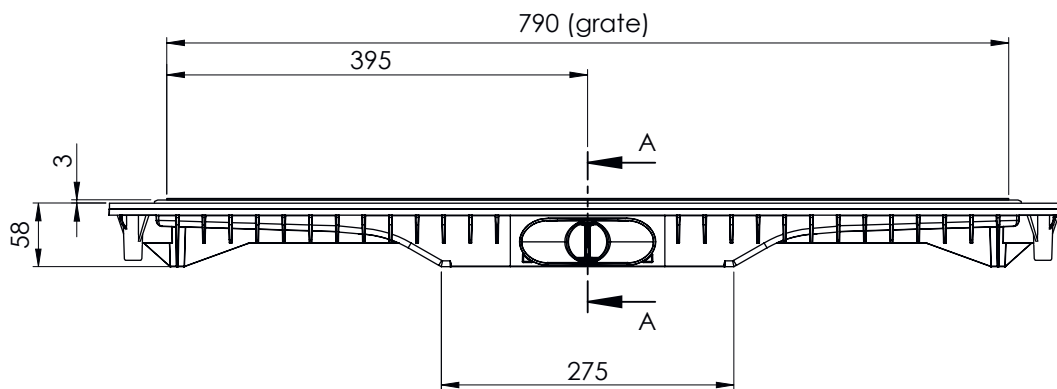
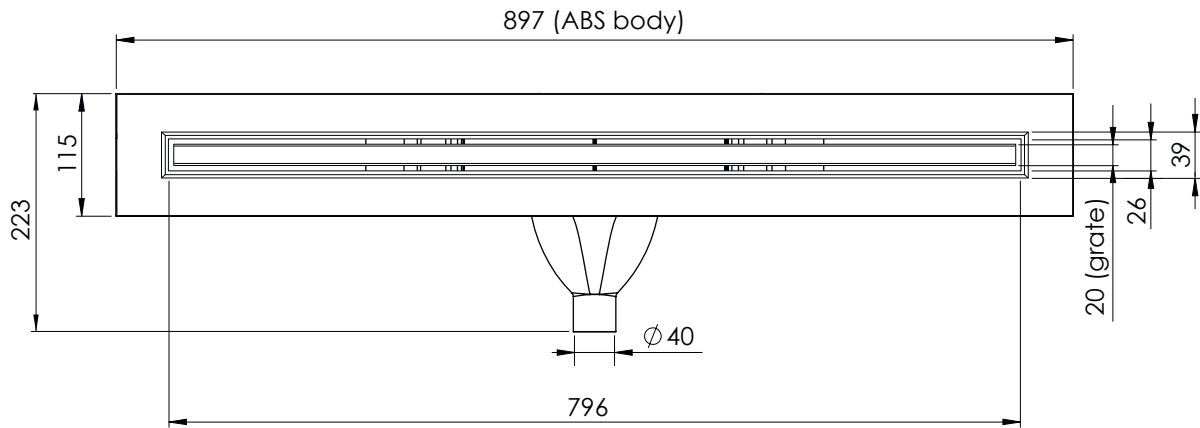


# Carrodrain **Liquid 700 PRO**

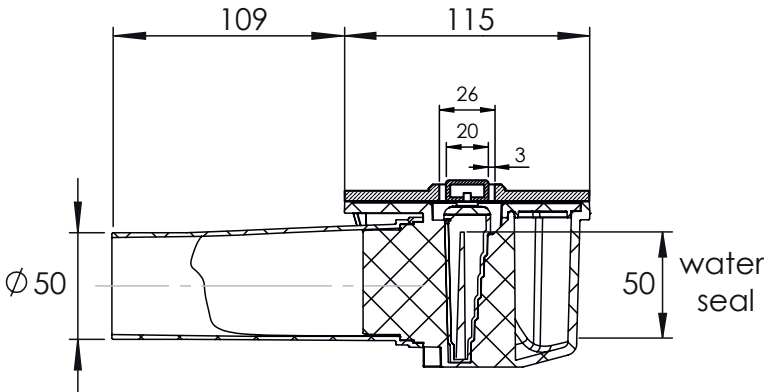
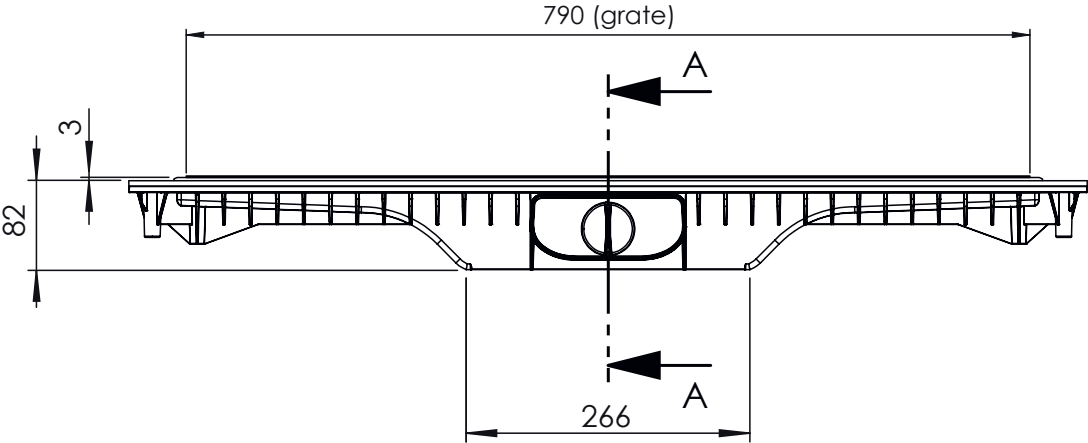
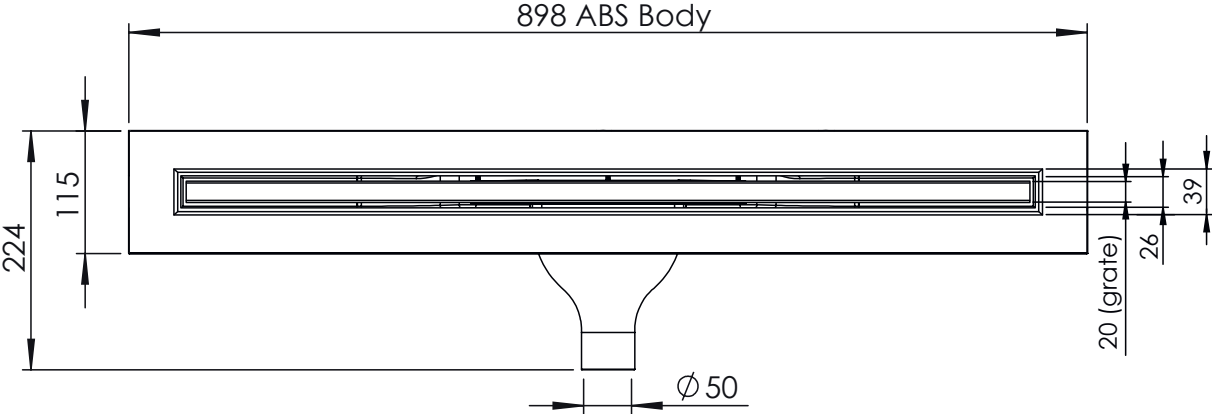


SECTION A-A

# Carrodrain **Liquid 800 LOW**

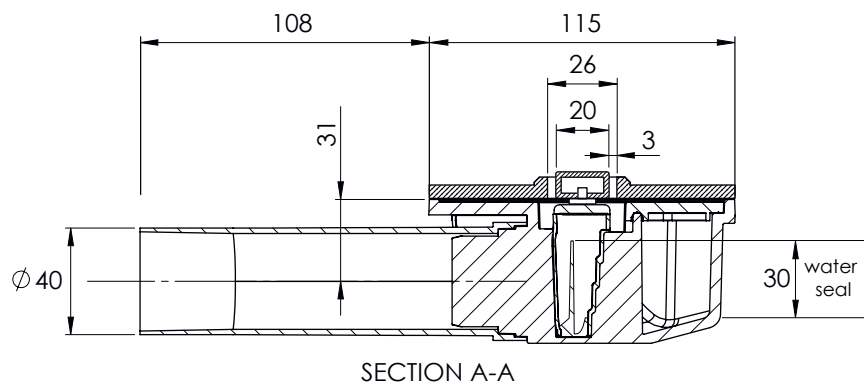
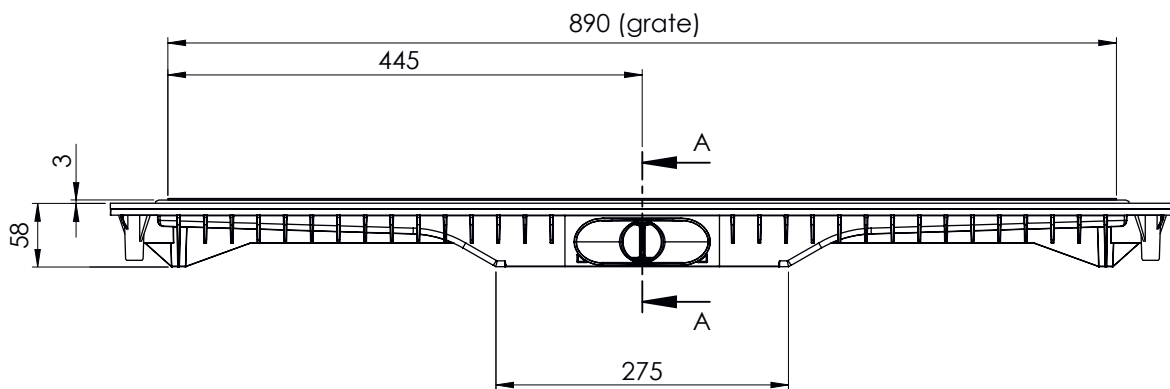
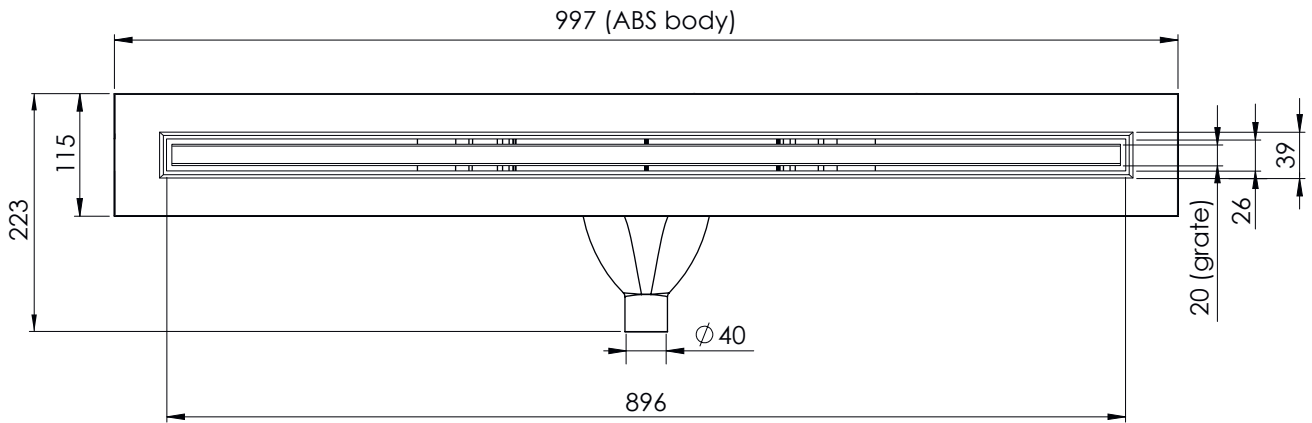


# Carrodrain **Liquid 800 PRO**

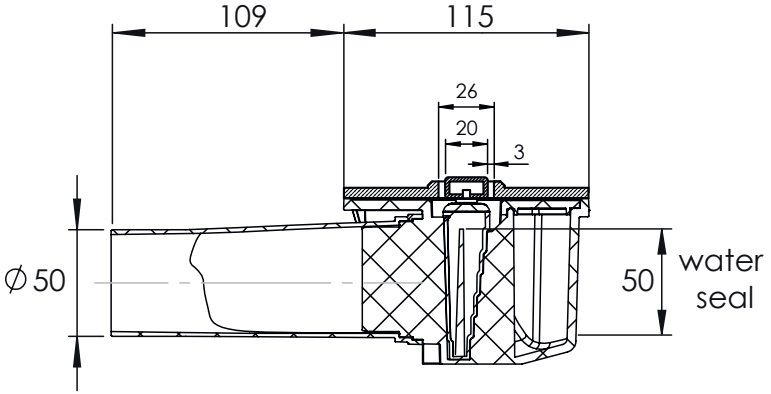
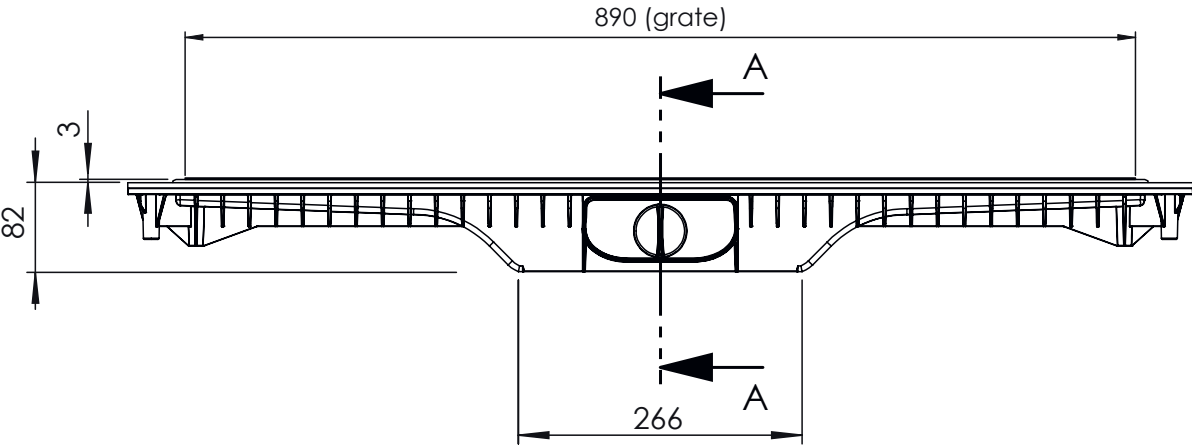
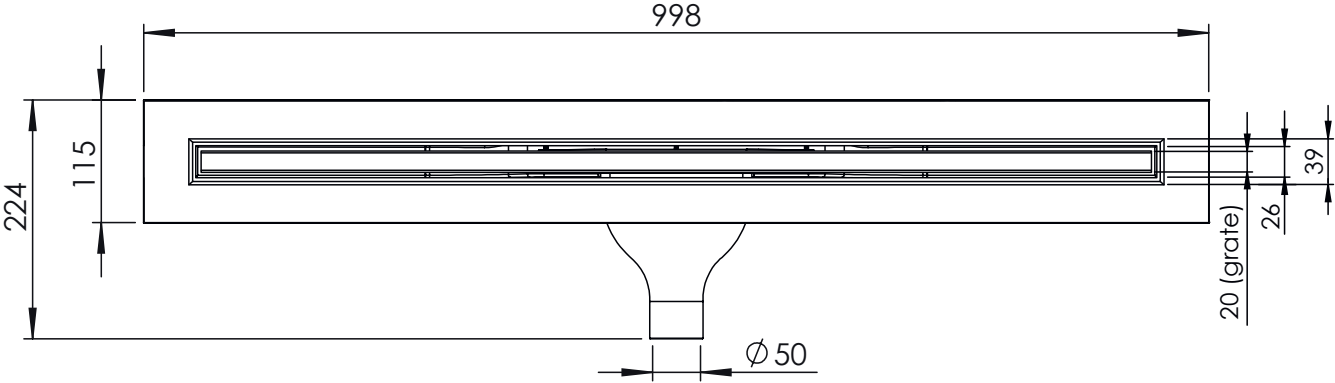


SECTION A-A

# Carrodrain **Liquid 900 LOW**

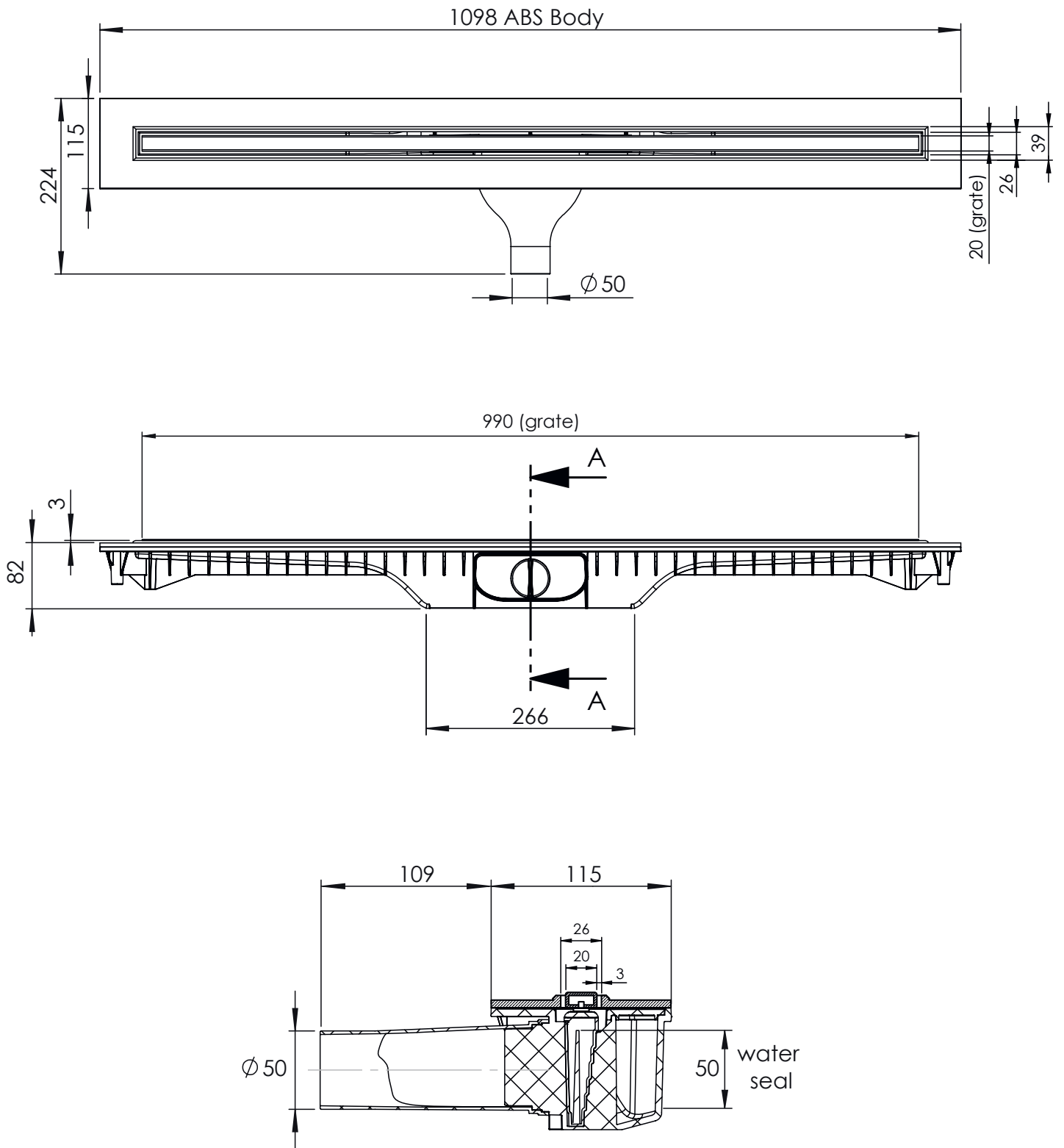


# Carrodrain **Liquid 900 PRO**



SECTION A-A

# Carrodrain **Liquid 1000 PRO**

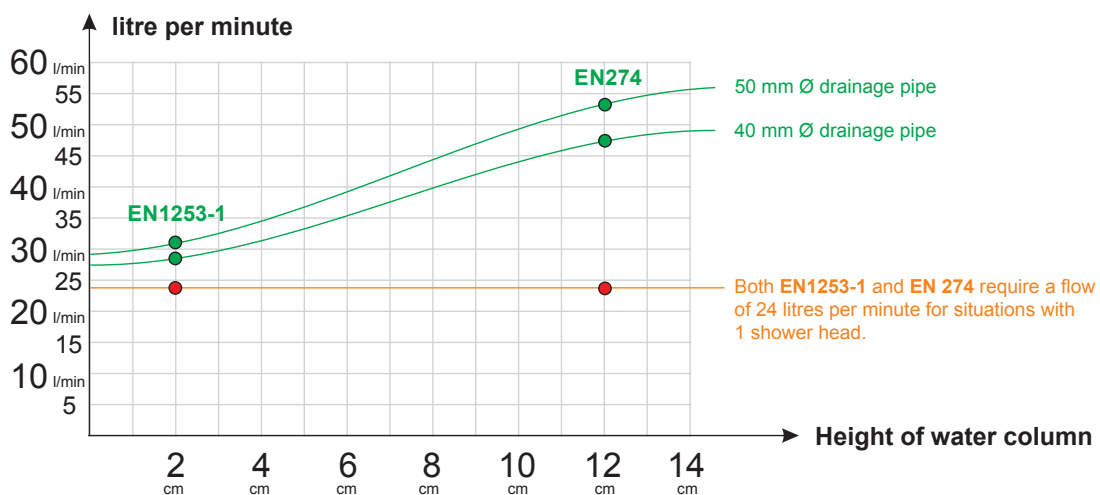


## Carrodrain Liquid LOW



	EN 1253-1	EN 274
	<p>This testing method requires a 100 cm drainage pipe and a 20mm water column above the drainage grate.</p> <p>↕ 20mm    ◀ 100cm ▶</p>	<p>This testing method requires a 30 cm drainage pipe and a 120mm water column above the drainage grate.</p> <p>↕ 120mm    ◀ 30cm ▶</p>
	<p><b>30,8 l/min.</b> =0,51l/sec.</p>	<p><b>53,3 l/min.</b> =0,89l/sec.</p>
	<p><b>28,3 l/min.</b> =0,47l/sec.</p>	<p><b>46,7 l/min.</b> =0,78l/sec.</p>

## FLOW CHART



January 2016  
Report no.